

BUY NOW 

High Power Optical Connectors (50W)

(Copper Ferrule, Free Fiber Tip, Epoxy Free Connector)

Product Description

Our high-power connectors incorporate several advantageous features. It uses copper ferrules with bored front to better dissipation heat and free-standing fiber tip to minimize the probability of damage of uncoupled light. The front part of the connector is epoxy free to prevent burning. It has key pin so that each connector can be pre-aligned to achieve and ensure uniform low loss. AR coating is an option to further reduce the loss and increase reliability. Moreover, we offer mode-stripping which removes most of the light from fiber cladding. We further offer fiber end-cap enhancement of these connectors for higher power handling, which expands the Mode Field Diameter and thus reduces the power density at the glass-air interface to a level below the damage threshold.



Performance Specifications

Parameter	Min	Typical	Max	Unit
Fiber Core Diameter	105		1000	μm
Operating Wavelength	400		2400	nm
Numerical Aperture (Typical)		0.22		
Storage Temperature	-40		85	°C
Mirror Size	1"			

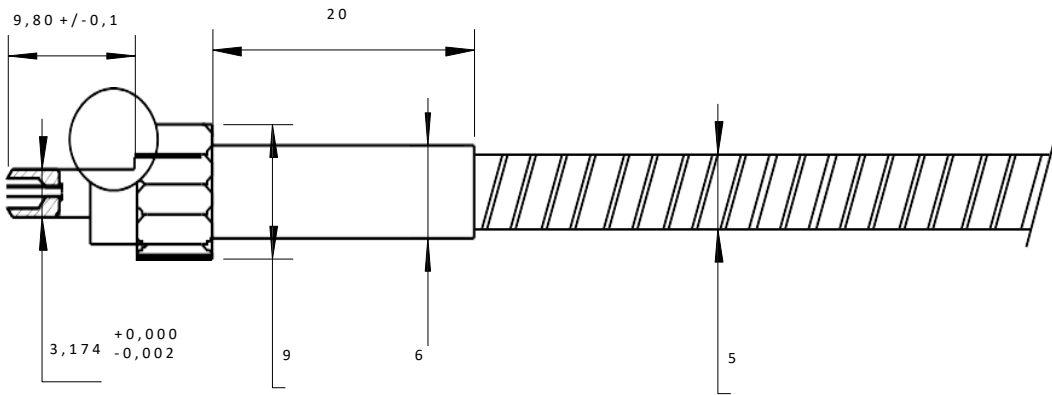
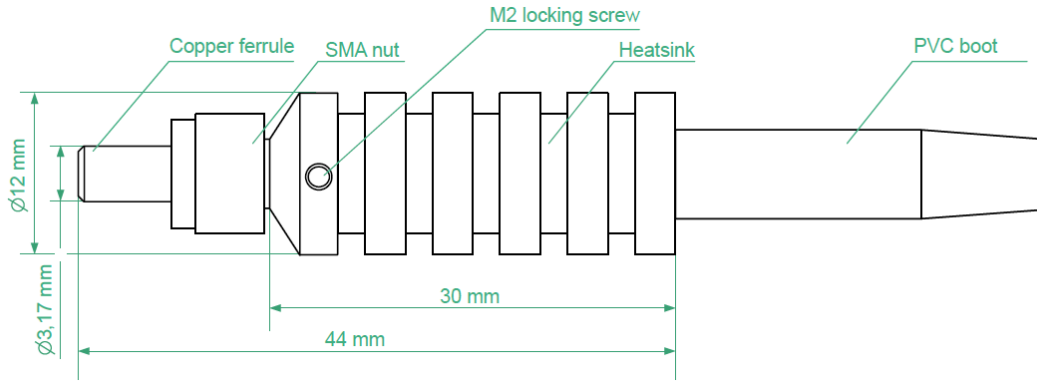
Features

- Key Pin Aligned
- Copper Ferrule
- Free Fiber Tip
- AR Coating
- Mode-Stripping
- PVC Tubing
- Metal Tubing

Applications

- Laser Cutting
- Laser process

Special SMA Connectors Dimensions (Unit: mm)



*Product dimensions may change without notice. This is sometimes required for non-standard specifications.

Ordering Information

HPCT-	<input type="checkbox"/>	<input type="checkbox"/>	<input type="checkbox"/>	<input type="checkbox"/>	<input type="checkbox"/>	<input type="checkbox"/>	<input type="checkbox"/>	0
Type	Wavelength AR Coating	End Cap	Heat Sink	Fiber Type	Cable Type	Cable Type		
SMA905=01 SMA980=02 SMA =03	None=0 488=4 532=5 650=6 780=7 850=8 980=9 1060=1 1310=3 1550=C 2000=2	No = 0 Yes =1	No =0 Yes =1	Step Index =1 Graded Index =2	PVC =-1 Metal =2	105/125=1 100/600=2 200/220=3 200/280=4 400/440=5 400/480=6 600/720=7 800/880=8 1000/1100=9		

*: Default is 1 pair of jumper cable, each 1m length, both ends with same connector type as on box panel
Use "0" for special need and describe all details clearly in order.