

Manual Fiber Optical Variable Attenuator

Product Description

This Manual VOA is based on a pair of fiber collimator coupling between a movable blocker, featuring low cost. It has a broadband AR coating.



Features

- Low Insertion Loss
- High Reliability
- Low Cost
- Low power consumption
- Super compact

Performance Specifications

| Manual VOA | Min | Typical | Max | Unit |
|--|------|------------|-------------------|------|
| Wavelength | 1250 | | 1640 | nm |
| Insertion Loss ^[1] | 0.4 | 0.5 | 0.9 | dB |
| Attenuation Resolution | | Continuous | | dB |
| Attenuation Range | | 50 | 60 | dB |
| Polarization Dependent Loss ^[2] | | 0.02 | 0.1 | |
| Polarization Extinction Ratio ^[3] | 20 | 23 | 28 | |
| Return Loss ^[4] | | 50 | 60 ^[3] | dB |
| Power Handling | | | 500 | mW |
| Operating Temperature | | -10 ~ 70 | | °C |
| Storage Temperature | | -40 ~ 85 | | °C |

Notes:

[1] Measure with CPR<14 laser source and excluding connectors

[2] Measured at 10dB attenuation

[3] For PM fiber version only

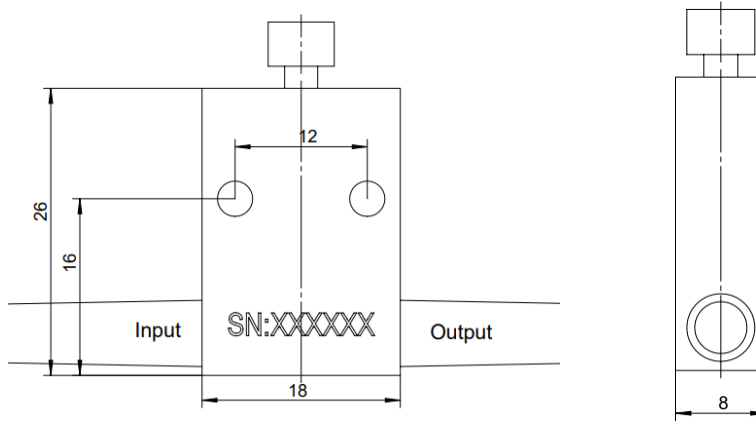
[4] Single Mode, For Multimode, return loss relates to laser condition

Applications

- Dynamic gain equalization
- Variable MUX/DeMUX
- Instrumentation

Manual Fiber Optical Variable Attenuator

Mechanical Dimensions-Package



*Product dimensions may change without notice. This is sometimes required for non-standard specifications.

Ordering Information

| MVOA- | 1 1 | 1 | <input type="checkbox"/> | <input type="checkbox"/> <input type="checkbox"/> | <input type="checkbox"/> | <input type="checkbox"/> | <input type="checkbox"/> |
|-------|---------------|--------------------|--|---|--|--|--|
| | Configuration | Type | Wavelength | Fiber type | | Fiber Length | Connector |
| | | Normally Open=1 | 1310=3 1550=5 1250-1640=1 Special = 0 | SM28=01 PM 1550=02 PM 1310 =03 50 μm=05 60 μm =06 | Bare fiber=1 900um tube=3 3mm tube -4 Special=0 | 0.25m=1 0.5m=2 1.0m=3 Special=0 | None=1 FC/PC=2 FC/APC=3 SC/PC=4 SC/APC=5 ST/PC=6 LC/UPC=7 Special=0 |